

# CHASE VENTILATION SCHEMATIC



You must check with your local building code agency before you begin installation to ensure compliance with local codes, including the need for permits & follow-up inspections.



## CAUTION

### Sharp Edges

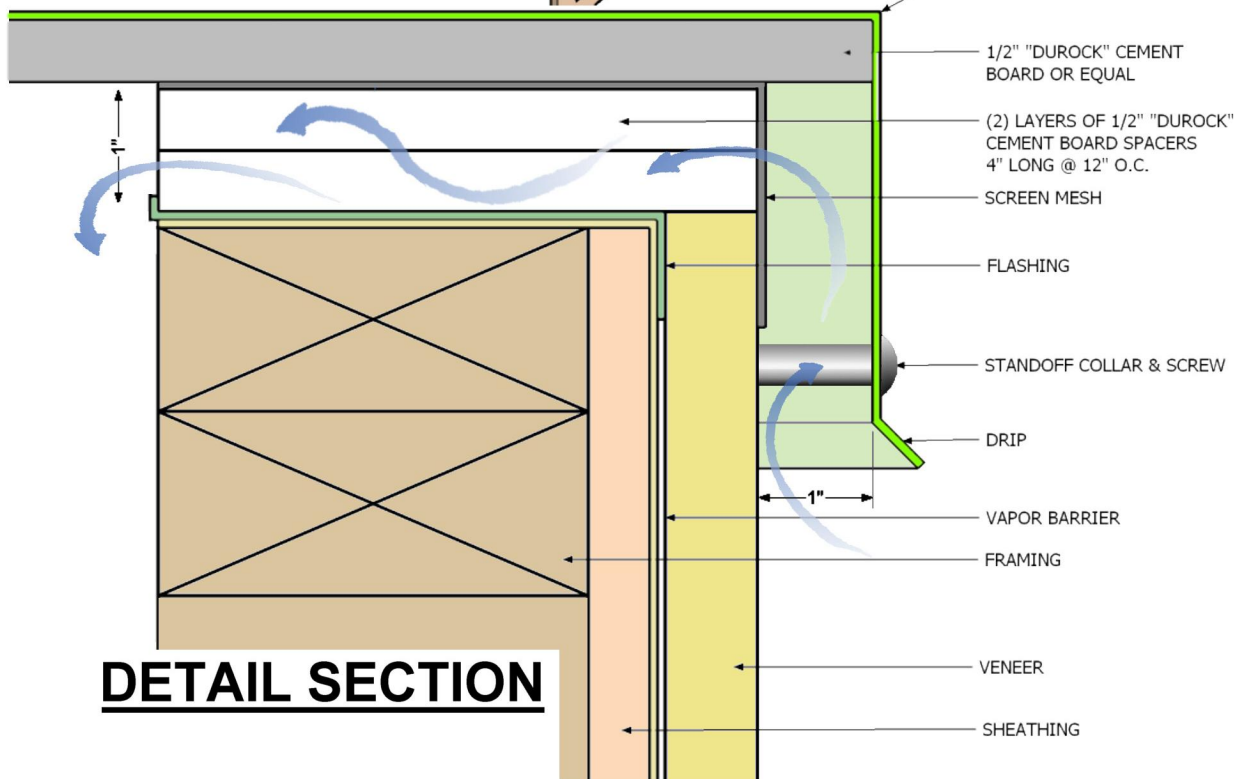
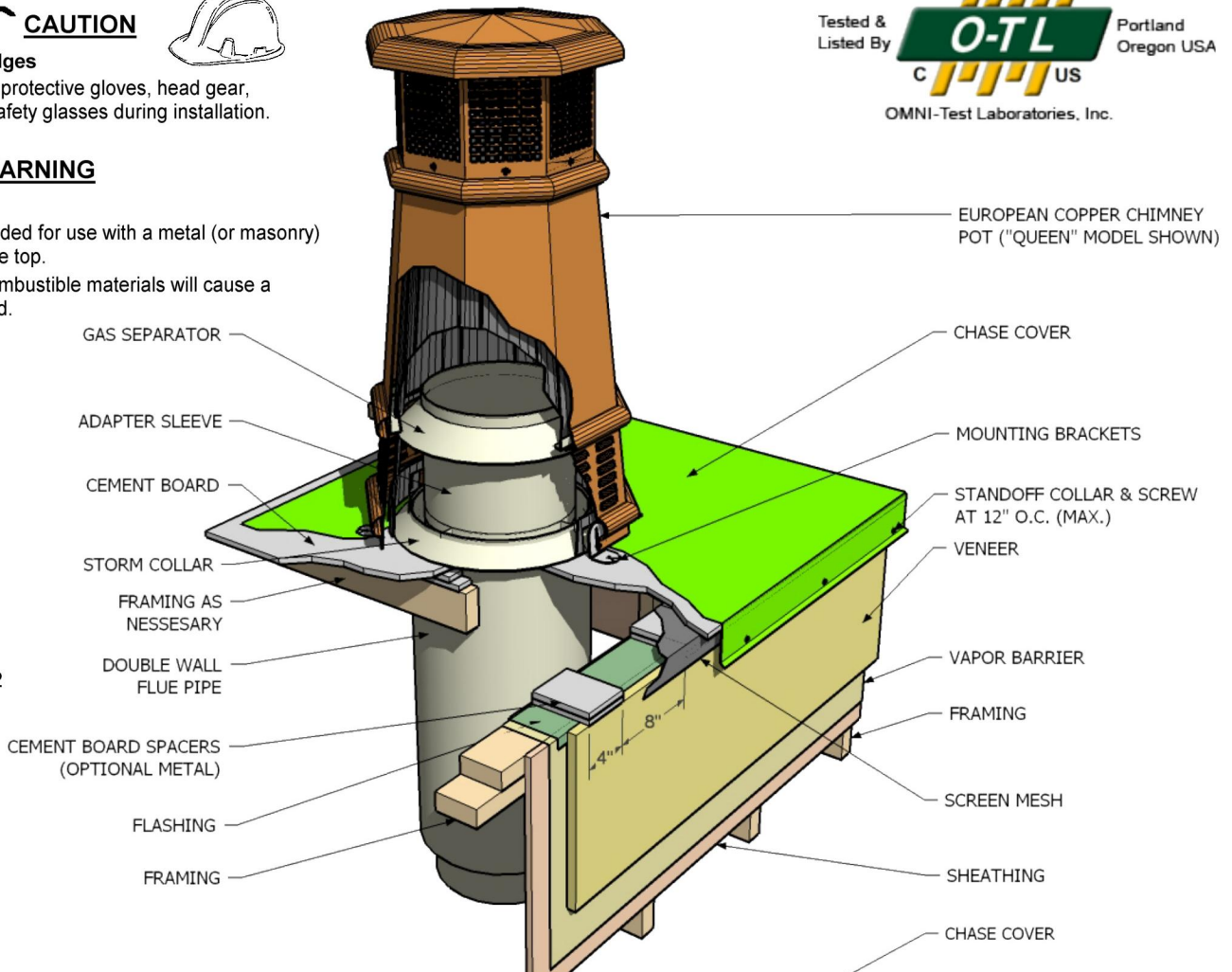
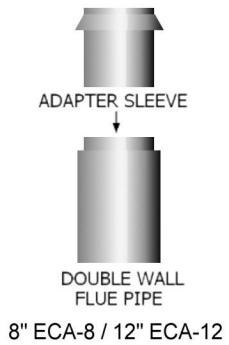
- Wear protective gloves, head gear, and safety glasses during installation.



## WARNING

### Fire Risk

- Intended for use with a metal (or masonry) chase top.
- Use of combustible materials will cause a fire hazard.



## DETAIL SECTION

← VARIES →